

## **FIBER TO THE HOME (FTTH) COMPONENTS**

Exceptional Fiber Optic Connectivity Solutions

**BYTEWORX**  
*Connectivity, Simplified*



# **BYTEWORX**

*Connectivity, Simplified*

At BYTEWORX, we constantly endeavour to provide a seamless experience to our clients in the most progressive and technologically viable way possible. Since inception in the year 2014, we are expanding with each passing day in terms of gamut of services & solutions we offer, cost-effective solutions, via research & development of technically superior products. Our teams consists of industry experts holding vast experience and technical know-how of successfully undertaking large-scale projects.

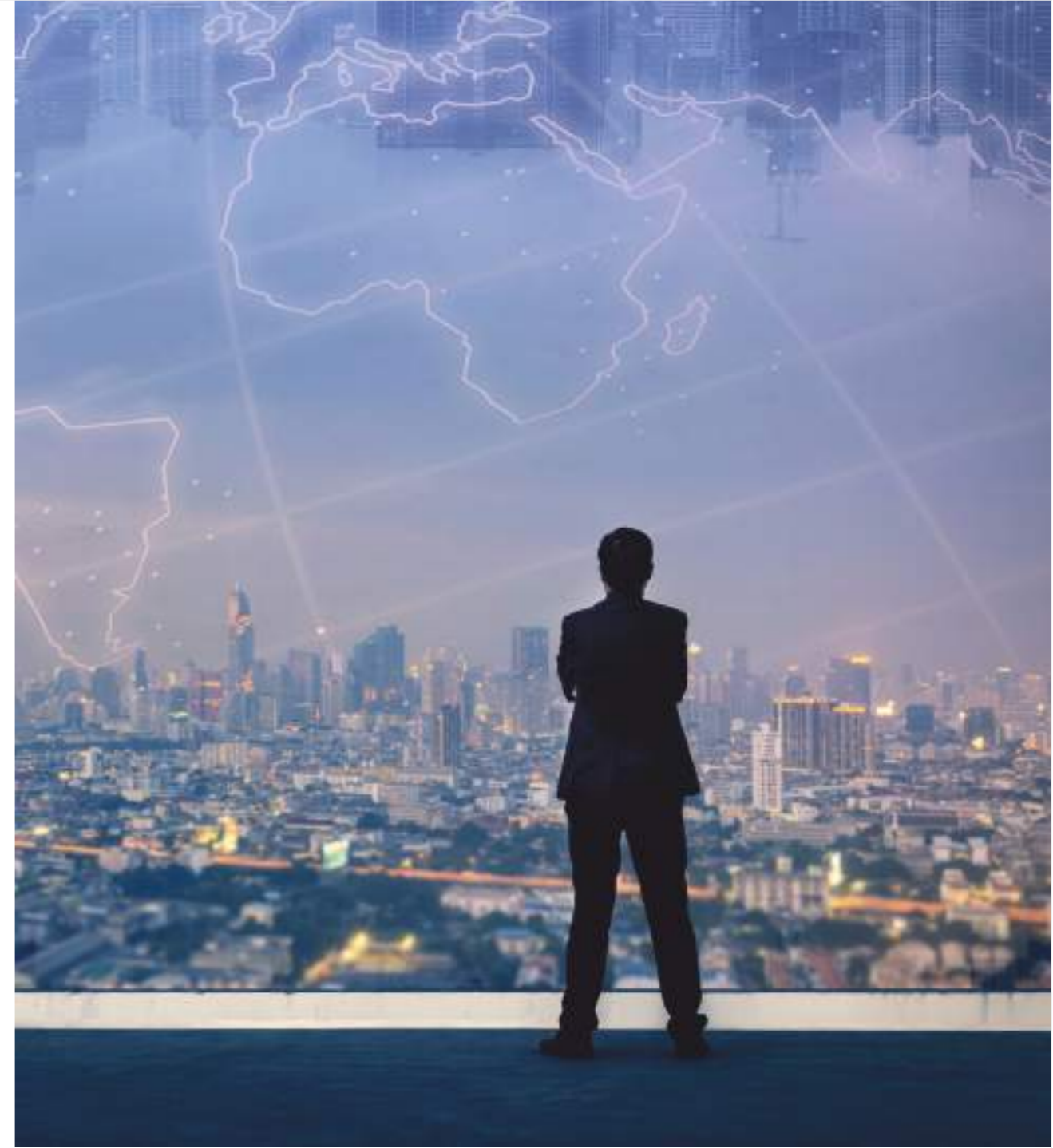


## Our Mission

Our Mission is to provide technically sound products, solutions, and services complying with Clients' expectations at a competitive price. This way, we aspire to align our processes we are listed in the top 10 Companies of India providing solutions for varied sectors like mobility, telecom, and infrastructure Projects.



3.



## Our Vision

Our vision is to maintain consistency in delivery of quality and timely services to our valued clients. We envision to pay huge emphasis of constant R & D of our processes & products to build long-term associations with Industry leaders.

**BYTEWORX**  
Connectivity, Simplified

4.



## Fiber Optic PLC Splitter

### Description:

Planar light-wave circuit splitter (PLC Splitter) is a type of optical power management device that is fabricated using silica optical wave-guide technology.

It is used to split a fiber optic beam into several beams at a certain splitting ratio. It is an important passive device in passive optical network.

### Features:

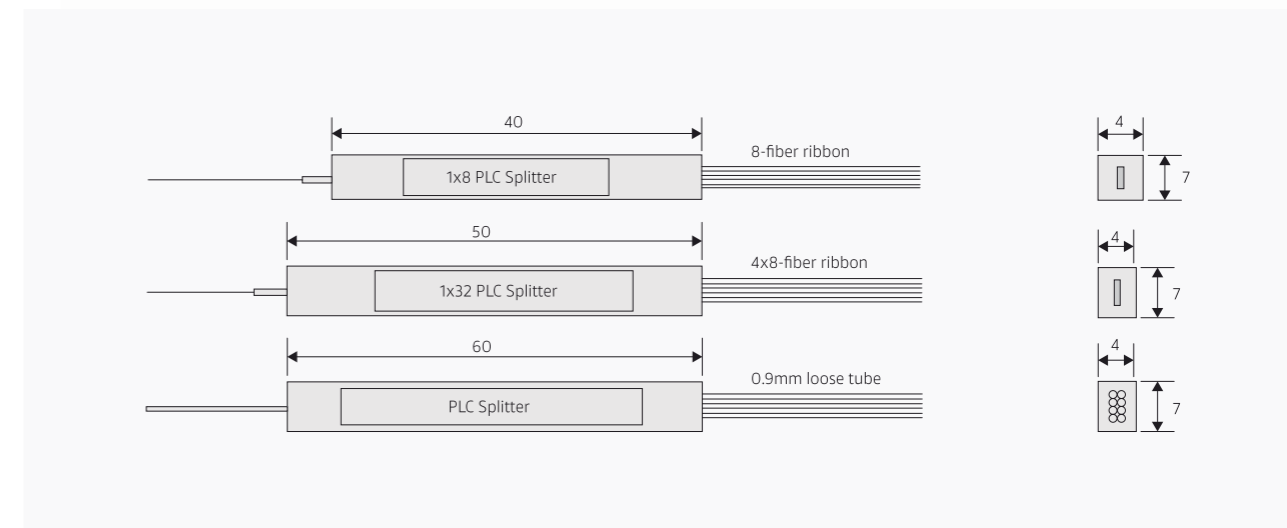
- Wide operating wavelength range: 1260nm - 1650nm.
- Wide Operating Temperature: -40° C - 85° C .
- Good channel-to-channel uniformity.
- High reliability and small size.
- High strength stainless steel SS304, passes salt spray test.
- 100% virgin raw material, ROHS compliant.
- Low Insertion loss & Low PDL Compact Design.

### Applications:

- FTTX
- Cable television (CATV)
- Local area networks (LAN)
- Test equipment
- Passive optical networks(PON)

## Mini Type PLC Splitter

The design of mini PLC splitter is suitable for fiber optic joint closure installation, the material of seal packet is stainless steel.



### Specification

Input port(pc)	1 or 2			
Output port(pc)	2/4/8	16	32	64
Steel tube size(mm)	50x7x4 55x7x4 60x7x4	60x12x4	80x20x6	100x40x6
Housing material	Stainless Steel			
Connector type	SC/FC/ST/LC/MU			
Steel tube size can be customized				

# Steel Tube Splitter

## Description:

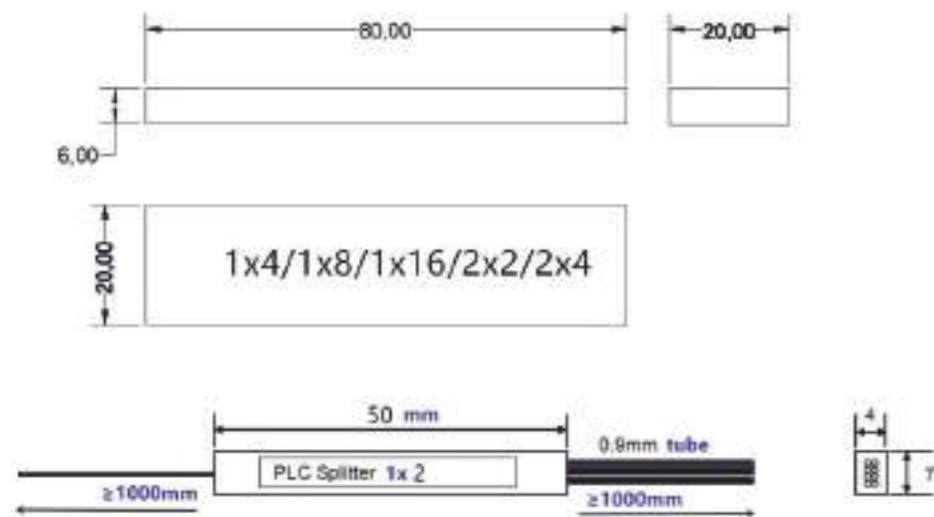
Planar Lightwave Circuit (PLC) splitter is a type of optical power management device that is fabricated using silica optical waveguide technology. It features small size, high reliability, wide operating wavelength range and good channel-to-channel uniformity. We provide whole series of 1xN and 2xN splitter products that are tailored for specific applications.

## Features:

- Low insertion loss
- Low PDL
- Excellent channel-to-channel uniformity
- High return loss and Good repeatability
- Wide wavelength range

## Applications:

- LAN, WAN and Metro Networks
- FTTH project & FTTX Deployments
- CATV System
- GPON, EPON
- Fiber Optic Test Equipment
- Data-base Transmit Broadband Net



# Steel Tube Splitter

Table 1 - 1XN PLC Splitter

Parameters	1x2	1x4	1x8	1x16	1x32	1x64	1x28
Operating Wavelength (nm)	1260-1650						
Fiber Type	G652G or customer specified						
Insertion Loss (dB)	3.8	7	10.2	11.5	16.8	20.5/21.0	24.2/24.5
Loss Uniformity (dB)	0.4	0.5	0.8	1	1.2	2	2.5
Return Loss (dB)	55	55	55	55	55	55/50	55/50
	0.2	0.2	0.2	0.2	0.2	0.35	0.35
	55	55	55	55	55	55	55
	0.3	0.3	0.3	0.5	0.5	0.5	0.5
	0.4	0.4	0.4	0.5	0.5	0.5	0.5
				-50-85			
				-50-85			

Notes: Specified without connectors.  
Add an additional 0.15dB loss per connector.

Table 2 - 2XN PLC Splitter

Parameters	1x2	1x4	1x8	1x16	1x32	1x64	1x28
Operating Wavelength (nm)	1260-1650						
Fiber Type	G652G						
Insertion Loss (dB)	4.2	7.5	10.6	11.9	17.2	20.8	23.8
Loss Uniformity (dB)	0.8	1	1.2	1.5	1.8	2	2
Return Loss (dB)	50	50	50	50	50	50	50
Polarization Dependent Loss(dB)	0.2	0.2	0.2	0.2	0.2	0.35	0.35
Directivity (dB)	55	55	55	55	55	55	55
Wavelength Dependent Loss (dB)	0.6	0.6	0.6	0.8	1	1	1.2
Temperature Stability ( -50~80 C ) ( dB)	0.6	0.6	0.6	0.8	1	1	1
Operating Temperature ( C )				-50-85			
Storage Temperature ( C )				-50-85			

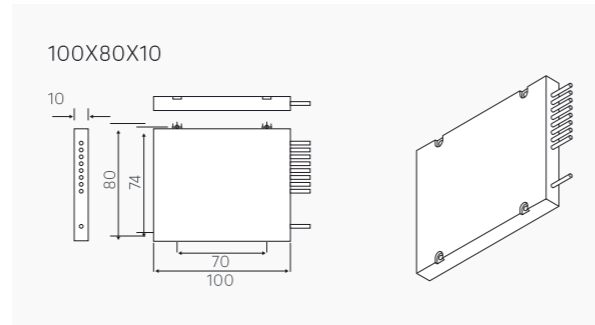
Notes: Specified without connectors.  
Add an additional 0.15dB loss per connector.

# ABS Box PLC Splitter

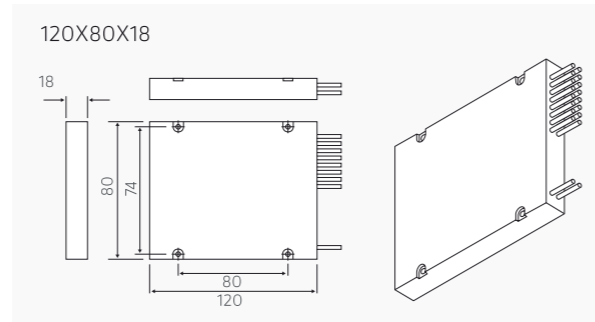
This type of PLC Splitter is compatible with fiber cross connect cabinet. It can be manufactured in 1xN & 2xN specifications.



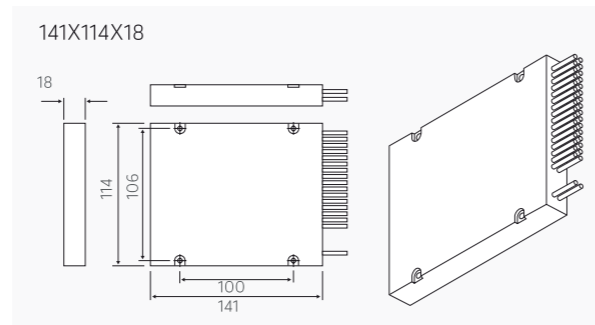
1x8



1x16



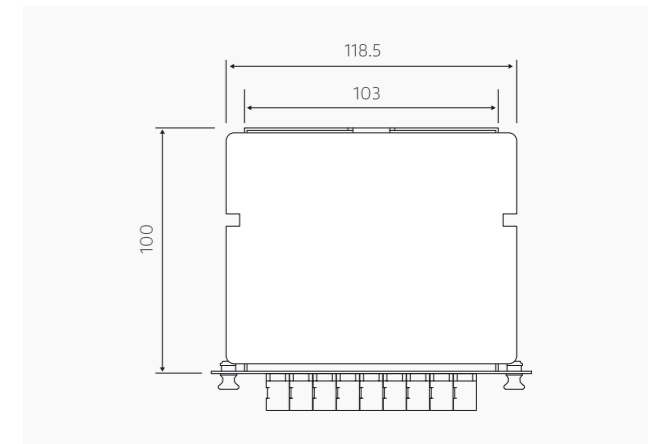
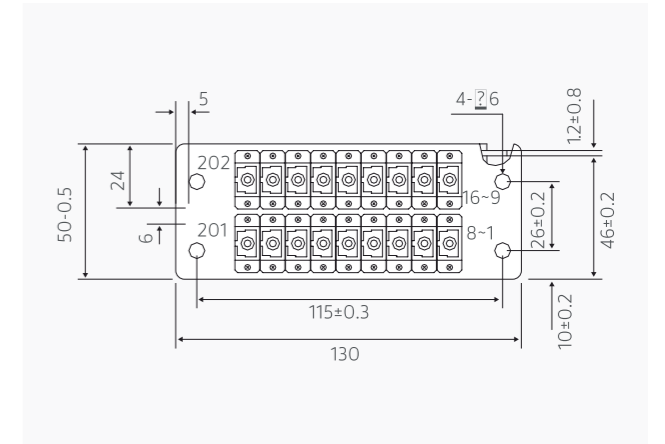
1x32



Specification			
Input port(pc)	1 or 2		
Pigtail length	1m/1.5m/2m		
Output port(pc)	2/4/8	16/32	64
Box size(mm)	100x80x10	120x80x18 100x80x10	120x80x18 141x114x18
Connector type	SC/FC/ST/LC/MU		

# Cassette Type PLC Splitter

Cassette Type PLC Splitter is ideal for installation in FAT box . It can be manufactured in 1xN & 2xN specifications.



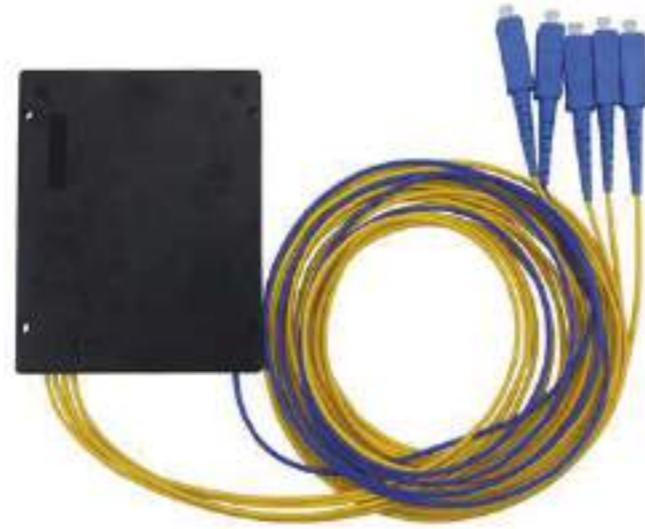
Specification			
Product name	plug-in Type Fiber optic splitter	Connector Type	SC,FC,ST,LCMU
Installation Modes	plug-in Type	Insertion Loss	<13.7 DB
Operating Temperature	-50°C ~85°C	Operating Wavelength	1260~1650 μm
Packaging material	ABS+PC	Output port	2,4,8,16,32

# FBT

## Description:

FBT splitter utilizes precision technology to combine or distribute light from single/multiple inputs to single/multiple outputs, bi-directionally. They are designed for power splitting and tapping in telecommunication equipment, CATV network, and test equipment.

Customized FBT splitters are manufactured in a variety of styles, sizes, port configurations, split values, and wavelength specifications, allowing a high degree of flexibility in tailoring the product to suit your precise requirements and application.

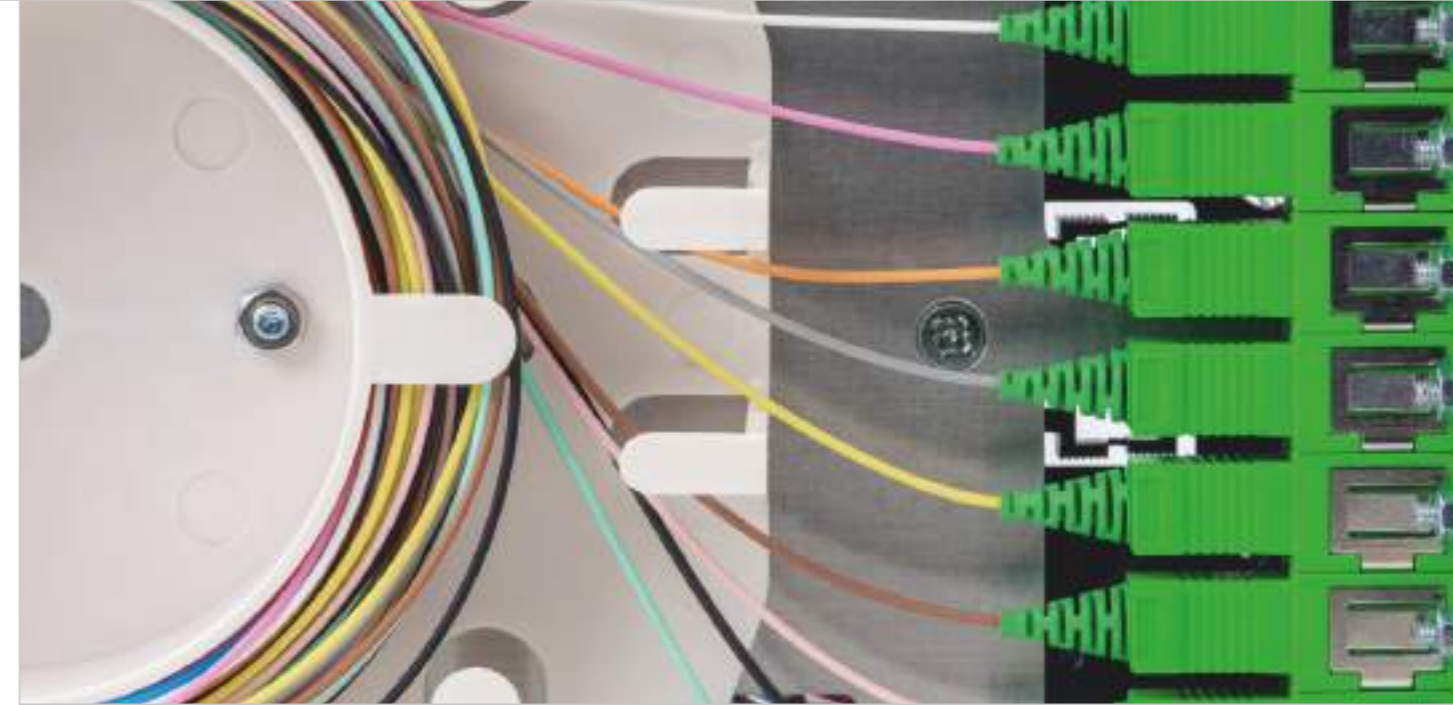


## Features:

- Various coupling ratio
- Single mode and multi mode available
- Low insertion loss, low PDL
- Environmental stable
- Industry standard and custom housing available
- Variety of connectors available
- 1x2, 1x4 and 1xN customized couplers configuration available

## Applications:

- Optical Fiber Communication Systems
- Optical Fiber CATV
- Passive Optical Network (PON)
- Optical Amplifiers
- Optical Access Networks/LAN
- Monitoring Systems
- Optical Fiber Sensor



## Specification

Coupling Ratio	Insertion Loss(dB)	
	P Grade	S Grade
50/50	≤ 3.4	≤ 3.6
45/55	≤ 3.7/2.7	≤ 3.8/2.9
40/60	≤ 4.4/2.6	≤ 4.7/2.8
35/65	≤ 4.8/2.0	≤ 4.9/2.10
30/70	≤ 5.7/1.9	≤ 6.0/2.0
25/75	≤ 6.9/1.3	≤ 6.5/1.4
20/80	≤ 7.6/1.2	≤ 8.0/1.3
15/85	≤ 8.6/0.7	≤ 8.9/0.88
10/90	≤ 11.0/0.65	≤ 11.5/0.8
5/95	≤ 14.2/0.4	≤ 14.8/0.5
2/98	≤ 18.5/0.25	≤ 19.0/0.35
1/99	≤ 21.5/0.2	≤ 22.0/0.3
Excess Loss(Typ.)(dB)	≤ 0.1	
PDL(Max.)(dB)	≤ 0.1	
Operating Wavelength(nm)	1310±40, 1550±40, 1310/1550±40, 1310/1550/1490±40 or custom wavelength	
Directivity(dB)	≥ 55	
Return Loss(dB)	≥ 50	
Port Configuration	1×2 or 2×2	

# Fiber Optic Indoor Pigtail



**Description:**

A cable that has an appropriate connector on one end and loose wires on the other.

It is designed to patch into an existing line or to terminate the ends of a long run.

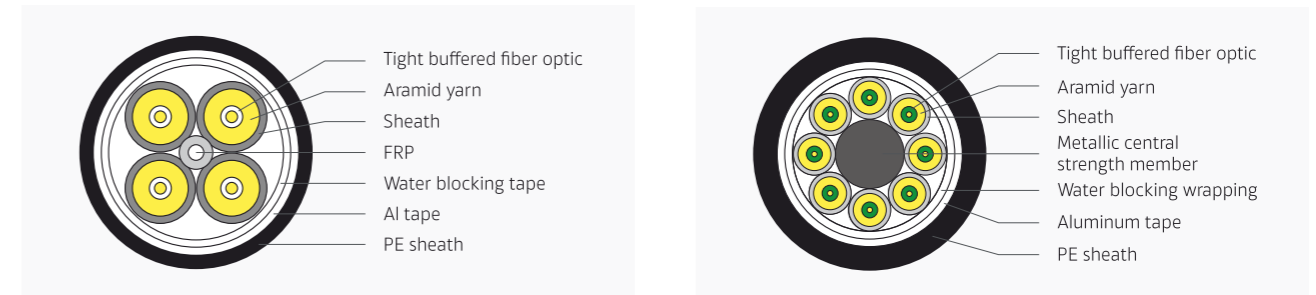
**Features:**

- PC/UPC/APC polishing compliant.
- Low insertion loss, high return loss.
- High performance and stability.
- 400\* microscope inspection compliant.
- Wide Operating Wavelength: 1260-1650nm.
- Wide operating temperature: -50° C - 85° C.
- Excellent repeatability and interchangeability.
- Singlemode or multimode fiber constructions possible.

Specification		
connector	FC, SC, LC, ST, MU, DIN, D4, E2000, MTRJ, SMA, LX.5	
Fiber model	SM	G652D, G657A1, G657A2, G657B3, G655
	MM	OM1, OM2, OM3-150, OM3-300, OM4-550, OM5
Cable types	Φ0.9mm, Φ2.0mm, Φ3.0mm	
Cable construction	Simplex, multicore colorful, multicore bundle, multicore distribution	
Jacket	PVC, LSZH, OFNP, OFNR, PE, TPU	
Core number	multicore (4, 6, 8, 10, 12, 24.....)	
Length	1, 2, 3, 5, 10m(or customized)	

# Fiber Optic Outdoor Waterproof Pigtail

Waterproof pigtail, is manufactured using a GYJTA cable and connectors on one end.



**Features:**

- 2, 4, 6, 8 and 12 cores are available.
- Low insertion loss, high return loss.
- Easy to splice and convenient laying.
- Singlemode or multimode fiber optional.
- Excellent repeatability and interchangeability.
- Good mechanical and environmental characteristics.
- Flame retardant, meet the requirement of relevant standards.
- Waterproof wrapped excellent performance suit for outdoor and harsh environment.

Specification		
Connector	FC, SC, LC, ST, MU, MTRJ, MPO	
Fiber model	SM	G652D, G657A
	MM	OM1, OM2, OM3 and OM4. or another types of fiber
Cable types	Φ0.9mm, Φ2.0mm, Φ3.0mm	
Cable construction	Simplex, multicore colorful, multicore bundle, multicore distribution	
Jacket	PE (Polyethylene), or other contracted material	
Core number	multicore (2, 4, 6, 8, 10, 12, 24.....)	
Length	1, 2, 3, 5, 10m (or customized)	

# Wall Outlet Box

	WBO1a
	WBO2a
	WBO2b
	WBO2c
	WBO2d
	WBO2e
	WBO2f
	WBO4a
	WBO4b

TECHNICAL SPECIFICATIONS
<ul style="list-style-type: none"> <li>• <b>Fixing:</b> Screwed on the wall On a fitted wall box On a DIN rail with an adapter (included)</li> </ul>
<ul style="list-style-type: none"> <li>• <b>Cable entries:</b> 6 entries: on the right, left, under, below, on the back. Cable Ø: 2.0 to 6mm Cable fastening with Clip</li> </ul>
<ul style="list-style-type: none"> <li>• <b>Outputs: SC/LC</b></li> </ul>
<ul style="list-style-type: none"> <li>• <b>Fiber routing:</b> Bending radius: 15mm</li> </ul>
<ul style="list-style-type: none"> <li>• <b>Routing zone:</b> up to 1,5m for 250µm/1m for 900µm</li> </ul>
<ul style="list-style-type: none"> <li>• <b>Splicing support:</b> Up to 4 individual heat shrinks of 40 or 45mm length for fusion splicing</li> </ul>
<ul style="list-style-type: none"> <li>• <b>Temperature:</b> -25° C to +70° C</li> </ul>



# Fiber Optic Cross Connect Cabinet

## Features :

- Can be embedded the wall design for outdoor uses
- Wall mount kits provided in standard specification
- Adapter slots used – No screws and tools needed for installing adapters
- Ready for splitters: designated space for adding splitters
- Space saving! Double-layer design for easier installation and maintenances
- Lower layer for splitters and over length fiber storage
- Upper layer for splicing, cross-connecting and fiber distribution
- Accommodates both cable glands as well as tie-wraps
- Lock provided for extra security



TECHNICAL SPECIFICATIONS
<ul style="list-style-type: none"> <li>• <b>Color:</b> white, black, grey</li> </ul>
<ul style="list-style-type: none"> <li>• <b>Protection Rating:</b> IP65</li> </ul>

Specification	
Material:	SMC
Cores:	144 Core, 288 Core, 576 Core
Relative humidity	<=85% (at +30°C ) (indoor), <=95% (at +40°C ) (outdoor)
Working temperature	-5°C ~+40°C (indoor), -40°C ~+60°C (outdoor)

# FAT Box 16

## Description:

Wall Mountable enclosure is a multipurpose robust enclosure made with high grade industrial plastic. The product can be used as a 16-core splitter enclosure or 24-core distribution unit based on the customer needs. The product can comply with IP65 rating & can be deployed in indoor & outdoor applications. The design of product is very robust & is provisioned with sufficient RIBS to withstand any high external impact.

## Product Specifications:

Dimensions (W x H x D)	:	268mm X 325mm X 107mm
Splice Capacity	:	24 Fibers
Type of Systems	:	Wall Mount type/ Pole Mount
Access	:	Front with Lock Door
Material	:	PC-ABS
Finish	:	Matt Finish
Cable Mounting	:	Vertical
Incoming Cable Ports	:	2 no's of diameter 16mm each.
Outgoing Cable Ports	:	16 fiber of diameter 2/3mm
Patch cord Outlet	:	From bottom sides
Cable entry & patch cord Outlet glands	:	Rubber Grommet

## Adapters & Pigtails:

Types : SC-PC, SC-APC, LC-PC

Adapter Parameters : Refer BYTEWORX Adapter Catalogue

Pigtail Parameters : Refer BYTEWORX Pigtail Catalogue

## Splice Tray:

Material	:	ABS
Colour	:	White/Grey
Dimension (T x W x L)	:	9 mm X 106 mm X 175 mm
Capacity	:	12 fibers, depending on the loose tube configuration
Max. Number	:	1

## Splitters

Type	:	PLC (Cassette Type)
Configuration	:	1x8 or 1x16
Connectors	:	SCPC/SC-APC
Fiber type	:	G.657A

# FAT Box 16

## Application

Telecommunication Networks.  
CATV networks.  
Widely used in FTTH access networks.  
Local area networks.  
Data communications networks.

## Features

- "Z" Type Splitter Guide Rails  
The product manufactured is provisioned with a unique feature of "Z" type splitter guide rails, this feature helps the field engineer to access the bottom splitter connectors without disturbing the Neighbouring connectors.
- Ribs - Top Door  
The top door of enclosure is supported with Ribs for additional strength.
- Enclosure has unique feature to accommodate Pad Lock.
- Dual M6 SHCS ensures effective sealing.
- Earthing arrangement is provided on need basis.
- Enclosure can be effectively mounted on poles using Pole Mount Kit.



# Joint Closure 24/48/96/144

## Description:

Joint closure is device which providing optical, sealing and mechanical strength continuity between adjacent optical cables. It is suitable for overhead, pipeline and underground manhole of optical cable. JC is compact, light in weight & user friendly. The closures are recommended for aerial, buried & outdoor applications. The product can comply with IP rating of 68.

## Product Specifications:

### Joint Closure 24/48 Core

Dimensions (H x D)	:	300 mm X 210 mm
Capacity	:	48 Fibers
Type of Systems	:	Dome type
Material	:	ABS & PP
Cable Entry Ports	:	4 no's round & 1 no's Oval
Cable entry Sealing	:	Heat Shrink
Dome & Base sealing	:	"C" clamp provisioned
Number of splice tray	:	2/4 no's

### Joint Closure 96/144 Core (Dome)

Dimensions (H x D)	:	500 mm X 210 mm
Capacity	:	144 Fibers
Type of Systems	:	Dome type
Material	:	ABS & PP
Cable Entry Ports	:	6/8 no's round & 1 no's Oval
Cable entry Sealing	:	Heat Shrink
Dome & Base sealing	:	"C" clamp provisioned
Number of splice tray	:	4/6 no's

### Joint Closure 96/144 Core (Flat)

Dimensions (W x H x D)	:	380 mm X 280 mm x 125 mm
Capacity	:	144 Fibers
Type of Systems	:	Flat type
Material	:	ABS & PP
Cable Entry Ports	:	6/8 no's round & 1 no's Oval
Cable entry Sealing	:	Heat Shrink
Dome & Base sealing	:	"C" clamp provisioned
Number of splice tray	:	8/12 no's

# Joint Closure 24/48/96/144

## Application

- Telecom Networks
- Applicable for underground & Aerial installation
- Compatible for Pole Mounting and Wall Mounting (Optional)

## Features

- Applicable for cut, uncut and taut sheath applications.
- Applicable for all type of single fiber optic cable.
- Central strength member fasten system included.
- Ribbed closure construction and lightweight plastic provides
- Strength and resistance to chemical and UV attack.
- Product Installation can be done with minimum number of tools.
- Complete splicing accessories kit will be provisioned.
- Protection class: IP68.
- Operation and Storage temperature -25°C ~ + 65°C
- Relative humidity ≤85% + (30°C)





**CUSTOM WRAPS INDIA PVT LTD.**

12/74, 12/73, Pioneer Complex, Site-IV Industrial Area,  
Sahibabad, Ghaziabad, Uttar Pradesh-201010

Phone No.: 0120-4129371, 4128625

Email: [info@customwrapsindia.com](mailto:info@customwrapsindia.com)

Web: [www.customwrapsindia.com](http://www.customwrapsindia.com)

CIN: U74999UP2021PTC149365